

# SJE VERTICALMASTER® II Pump Switch

Mechanically-activated, pump switch designed to operate in sump applications with limited space.

This mechanically-activated pump switch is designed to operate in non-potable water with limited space. It works well in small sump chambers and laundry trays, as well as in large tanks. This switch is not recommended for a sewage environment.

The SJE VerticalMaster® II pump switch is not sensitive to turbulence.

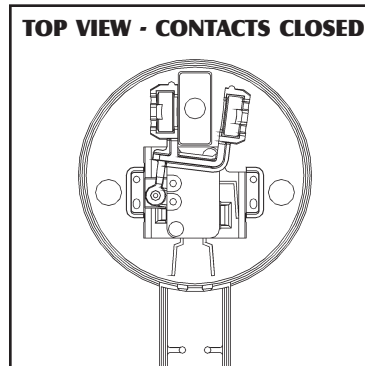
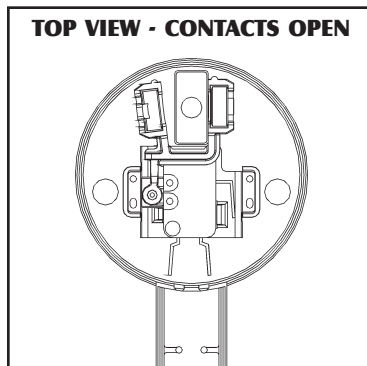
It is available for pump down application only.



U.S. Patent No. 6,140,925  
Foreign Patents Pending

## FEATURES

- Adjustable pumping range of 2 to 17 cm (.75 to 6.5 inches).
- Includes standard boxed packaging.
- UL Recognized for use in non-potable water.
- CSA Certified.
- Three-year limited warranty.



## OPTIONS

This switch is available:

- CE Compliant units available upon request.
- in standard cable lengths of 3, 5, 6, and 10 meters (10, 15, 20, or 30 feet)

## SPECIFICATIONS

**CABLE:** flexible 18 gauge, 2 conductor (UL, CSA) SJOW

**MOUNTING BRACKET & HOSE CLAMP:** stainless steel

**LIFT ROD:** injection molded acetal plastic

**FLOAT STOP:** neoprene

**SWITCH AND FLOAT HOUSING:** high impact, corrosion resistant, PVC housing for use in non-potable water up to 52°C (125°F)

**Overall dimensions:** 30.5 cm high x 12.7 cm x 7.6 cm wide (12 inch high x 5 inch x 3 inch wide)

**Switch housing dimensions (excluding cable entrance):** 5 cm high x 7.1 cm diameter (2 inch high x 2.8 inch diameter)

**Float housing dimensions:** 6.4 cm high x 6.9 cm diameter (2.5 inch high x 2.7 inch diameter)

### ELECTRICAL:

**125/250 VAC 50/60Hz Single Phase:**

**Maximum Pump Running Current:**

10 amps

**Maximum Pump Starting Current:**

60 amps

**NOTE:** This switch must be used with pumps that provide integral thermal overload protection. This switch is **NOT** recommended for non-arcing electrical loads.



PO Box 1708, Detroit Lakes, MN 56502  
1-218-847-1317

email: [sje@sjerhombus.com](mailto:sje@sjerhombus.com)

[www.sjerhombus.com](http://www.sjerhombus.com)

SEE BACKSIDE FOR ORDERING INFORMATION.

# SJE VERTICALMASTER® II Pump Switch

Mechanically-activated, pump switch designed to operate in sump applications with limited space.

## ORDERING INFORMATION

PART NUMBER	DESCRIPTION		SHIPPING WEIGHT
	Cable Length	Plug Configuration	
1009991	3 Meters	No Plug	0.75 kgs.
1009992	5 Meters	No Plug	0.94 kgs.
1009993	6 Meters	No Plug	1.07 kgs.
1009994	10 Meters	No Plug	1.38 kgs.

Contact SJE-Rhombus for pricing or submit an on-line quote request at [www.sjrhombus.com](http://www.sjrhombus.com).

## OPTIONS

MOUNTING BRACKET AND HOSE CLAMP ARE STANDARD

BOXED PACKAGING IS STANDARD

Bulk packaging is not available.

ADDITIONAL CABLE LENGTH IS AVAILABLE

## SPECIFICATIONS

**PUMPING RANGE:** 2 cm to 17 cm (.75 to 6.5 inches)

**CABLE:** flexible 18 gauge, 2 conductor SJOW (UL, CSA)

**MOUNTING BRACKET AND HOSE CLAMP:** stainless steel

**LIFT ROD:** injection molded acetal plastic

**FLOAT STOP:** neoprene

**SWITCH AND FLOAT HOUSING:** high impact, corrosion resistant, PVC housing for use non-potable water up to 52°C (125°F)

**Overall dimensions:** 30.5 cm high x 12.7 cm x 7.6 cm wide (12 inch high x 5 inch x 3 inch wide)

**Switch housing dimensions (excluding cable entrance):** 5 cm high x 7.1 cm diameter (2 inch high x 2.8 inch diameter)

**Float housing dimensions:** 6.4 cm high x 6.9 cm diameter (2.5 inch high x 2.7 inch diameter)

## ELECTRICAL:

Voltage 50 Hz/60Hz Single Phase	Maximum Pump Running Current	Maximum Pump Starting Current
125 VAC	10 amps	60 amps
250 VAC	10 amps	60 amps

## THIS SWITCH:

- must be used with pumps that provide integral thermal overload protection
- has IPx7 enclosure protection
- is suitable for category II installations
- is protected by double insulation

UL Recognized for Water & Sewage



## OTHER INFORMATION

### DIRECT WIRING

Units used for direct wiring (without plug) may be used in either 120 VAC or 230 VAC applications within specified amp ratings.

**PUMP DOWN** is normally open contacts for emptying.

- CE Compliant units available upon request.

**Call or fax your order!**

Phone 218-847-1317 ■ Fax 218-847-4617

**SJE Rhombus**  
CONTROLS

[www.sjrhombus.com](http://www.sjrhombus.com)  
[sje@sjrhombus.com](mailto:sje@sjrhombus.com)